



Vibration damper for HiPace 300/400, DN 100 ISO-K/F

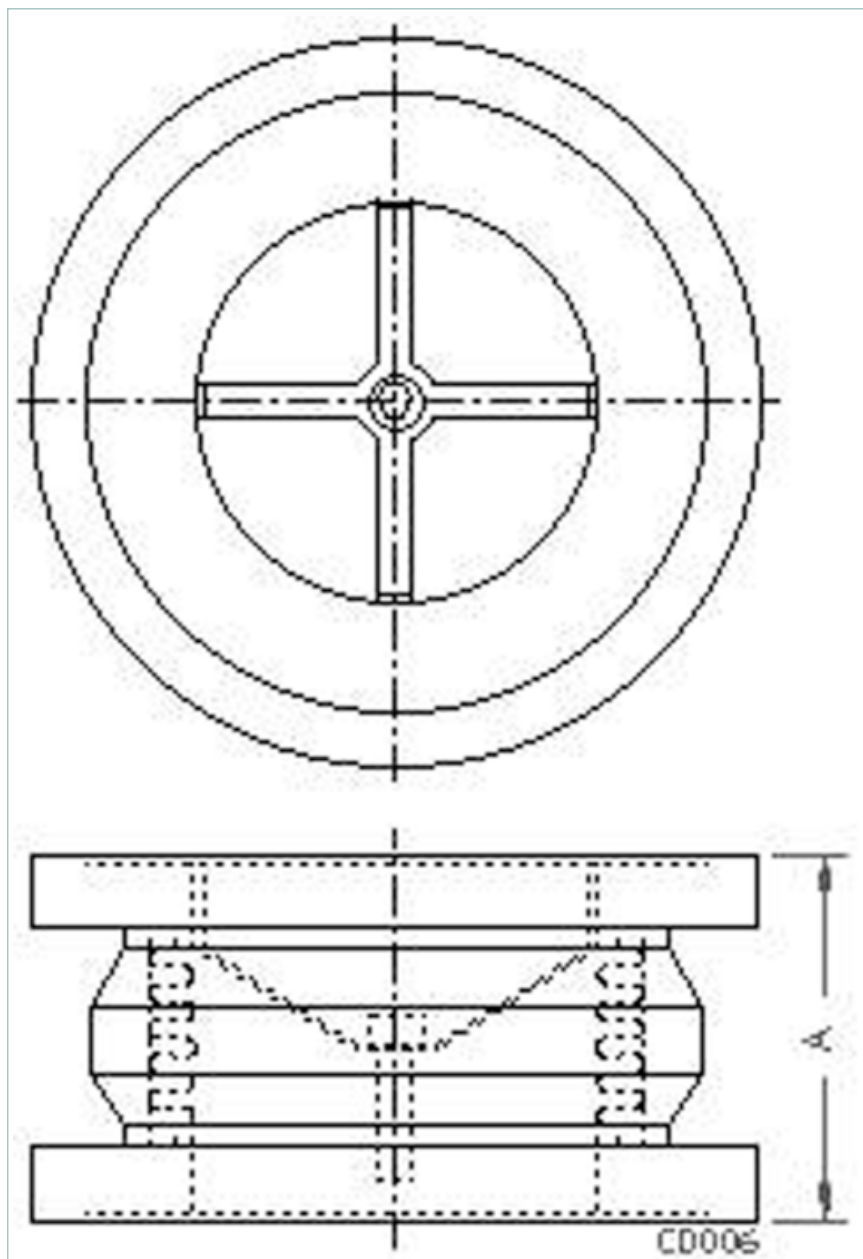


Similar Image

Vibration damper for HiPace 300/400, DN 100 ISO-K/F

- Connection for DN 100 ISO-K with bracket screws
- Connection for DN 100 ISO-F with retaining ring
- Suitable for HiPace 300 and 400
- For the employment of turbopumps on systems and plants that are sensitive to vibration
- The flow resistance should be taken into account at the design of the pumping system
- Only vertical operation allowed
- Note: Fastening of the pump see operating instructions
- An additional pump mounting is required

Dimensions



A 83.2 mm

Technical Data	Vibration damper for HiPace 300/400, DN 100 ISO-K/F
Flange	DN 100 ISO-K-F
Order number	
Vibration damper	PM 006 459 AX

VACUUM SOLUTIONS FROM A SINGLE SOURCE

Pfeiffer Vacuum stands for innovative and custom vacuum solutions worldwide, technological perfection, competent advice and reliable service.

COMPLETE RANGE OF PRODUCTS

From a single component to complex systems:

We are the only supplier of vacuum technology that provides a complete product portfolio.

COMPETENCE IN THEORY AND PRACTICE

Benefit from our know-how and our portfolio of training opportunities!

We support you with your plant layout and provide first-class on-site service worldwide.

Are you looking for a
perfect vacuum solution?
Please contact us:

Pfeiffer Vacuum GmbH
Headquarters · Germany
T +49 6441 802-0
info@pfeiffer-vacuum.de

www.pfeiffer-vacuum.com

All data subject to change without prior notice.

PFEIFFER  **VACUUM**